

## Identification Data

November 10, 2016

LAB GROWN DIAMOND   
Certificate Number 263120058

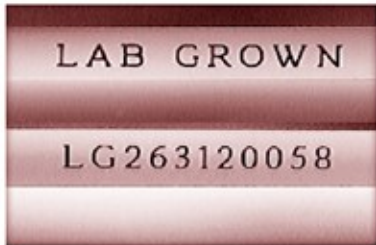


Gemprint is the unique optical fingerprint for positive identification of your lab grown diamond. Register your lab grown diamond at [www.Gemprint.com](http://www.Gemprint.com) and receive insurance discounts up to 10%.



### Laser Inscription:

Actual image of the inscription photographed at magnification greater than 10x  
Girdle laser inscribed "LAB GROWN" and "LG263120058"



## The 4Cs Grading Analysis

GCAL 263120058

LAB GROWN DIAMOND\*

**Carat Weight:** 1.14

**Cut:** Very Good

Shape: Princess  
Measurements: 5.72x5.68x3.87mm  
Polish: Very Good  
External Symmetry: Very Good  
Girdle Thickness: SI.Thick-Thick  
Culet Size: None

**Color:** Fancy Intense Orangy Pink

Fluorescence: Strong Orange

**Clarity:** VS2

Identifying Characteristic(s): Internal Growth Characteristic  
Characteristic Location(s): Table

\*Comments: This man-made diamond was grown in a laboratory by the CVD method, and has the same chemical, physical, and optical properties as a natural earth mined diamond. Additional post growth processes have produced the color.

### Photomicrographs:

Actual images of the crown (top) and pavilion (bottom) of this diamond photographed at magnifications up to 10x.

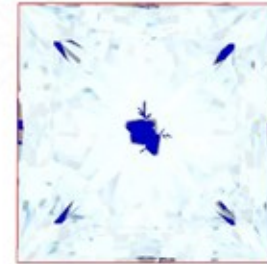


## Light Performance Profile

### Optical Brilliance Analysis:

Brilliance is the overall return of light to the viewer. The brilliance image is a representation of (a) white areas of light return, or brilliance, and (b) dark-blue areas of light loss.

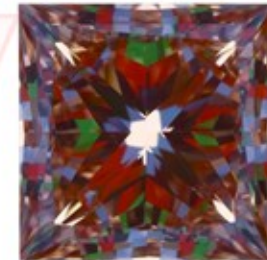
Excellent



### Optical Symmetry Analysis:

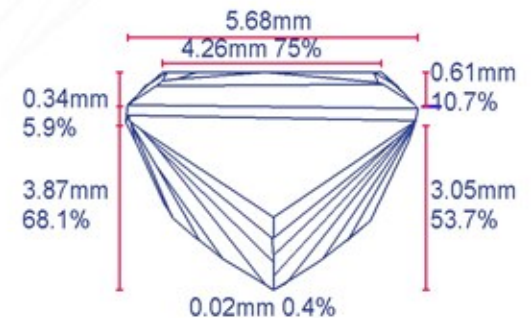
The colored areas of the symmetry image are indications of light handling ability, giving a visual representation of proportions and facet alignment.

Good



### Proportion Diagram:

The proportion diagram illustrates the actual dimensions as recorded by optical scanning technology.



580 Fifth Avenue, New York, NY 10036, T 212.869.8985 F 212.869.2315  
[www.DiamondID.com](http://www.DiamondID.com), [www.GemFacts.com](http://www.GemFacts.com), [www.Gemprint.com](http://www.Gemprint.com)

Guaranteed Lab Grown Diamond Grading Certificate

ELECTRONIC COPY